



**NEW** SXGA+ projector for medical use  
**MH2850U**

**The Key to Precision Medical Image Projection**

The combination of virtual DICOM mode and SXGA+ resolution ensures high definition crystal-clear and close gray scale for medical images like X-ray photograph, CT and CR and this projector is ready for you right out of the box. Install the unit in conference rooms for use in pre-operation conference, training for trainee doctors and other broad-based applications spanning the medical image projection scene. MH2850 has preset picture setting suitable to X ray photo. Clear Base mode is designed to look X-ray photo in CLEAR BASE. BLUE BASE mode is designed to look X-ray photo in BLUE BASE.



Auto mode



Virtual DICOM mode

## Supporting the evolving frontlines of healthcare. Super-bright SXGA+ Projector

**Our new-generation panel takes brightness to 3100lm**

The new-generation panel, with inorganic orientation film and normally black. Because high contrast via normally black and inorganic orientation film requires no lubing process, immaculate brightness of 3100lm is realized with crystal-clear picture quality void of vertical stripe noise. What's more, packing twice the service life of organic orientation film, our stingy degradation ensures enjoyment of high-quality images for the long run.

**Lamp Side Replacement**

The lamp may be removed from the side of the projector unit. This simplifies replacement without turning the projector around or over when suspended from the ceiling or resting on a shelf.

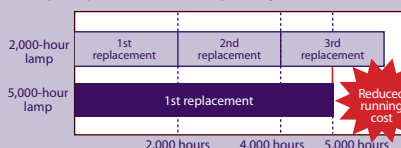


**Long Life Lamp ~ Maximum 5,000 hours**

Supported by our optimum design for light source lamp temperature control, maximum light source lamp use soars to 5,000 hours.\*<sup>1</sup> This makes dramatic reductions in running cost, while likewise slashing replacement hassle for the light source lamp as a consumable part.\*<sup>2</sup>

(\*1): When used at the low lamp mode. Maximum lamp life at standard mode use is 2,000 hours.  
(\*2): Lamp life refers to the average time required for brightness to be reduced by half, and not the time specified in the warranty. Use time may vary widely by the environment and conditions, and whether or not cleaning and other maintenance procedures are followed.

**Lamp Replacement Frequency\*<sup>2</sup>**



**Handles Optional Lenses Too**

Besides the standard lens, the MH2850U is also engineered to use various optional lenses. Choose the lens that best fits your installation parameters.



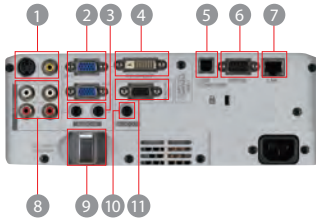
OL-XL2550MZ



# SXGA+ projector for medical use MH2850U

## Input and Output Terminals

Enhanced terminal group realizes a versatile range of presentations.



- 1 S-Video / Video input
- 2 PC / Component Video input (mini D-sub 15pin)
- 3 PC / Audio input
- 4 DVI-D (with HDCP) input
- 5 USB terminal for mouse control
- 6 Serial RS-232C (D-sub 9pin)
- 7 LAN (RJ-45)
- 8 Video / Audio input
- 9 Security Anchor
- 10 Audio output
- 11 Monitor output

## Options

Replacement lamp  
VLT-XL650LP



## Option Lens Line-up

Model	Short Throw Zoom Lens OL-XL2550MZ	Long Throw Zoom Lens OL-XL2550LZ	Tele Throw Zoom Lens OL-XL2550TZ
Zoom / Focus	Manual (1.3x)	Manual (1.5x)	Manual (1.5x)
Projection Lens	f=29-37mm F1.7-2.0	f=32-48mm F2.2-2.8	f=48-74mm F2.2-2.7

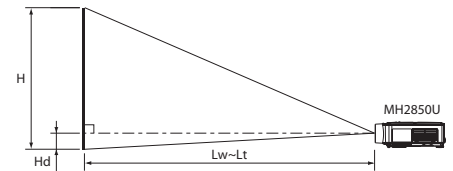
## Specifications

Model	MH2850U
Display technology	0.8" 3-LCD (with Micro Lens)
Resolution	1400x1050 (total 1,470,000 pixels)
Brightness	3100lm
Contrast	600 : 1 (on/off)
Projection lens	f=24-29mm, F1.7-1.9
Throw ratio	1.5-1.8
Offset axis	9up : 1down (No variable lens shift)
Picture Size	40"~300" (100"=3.0~3.6m)
Source lamp	220W (Shut Off Time 5000Hrs) with Low Mode 261W (Shut Off Time 2000Hrs) with Standard Mode
Computer compatibility	640x480 ~ 1600x1200 True: 1400x1050, Sync on green available
Video compatibility	NTSC/NTSC4.43/PAL(including PAL-M, N)/SECAM/PAL-60, Component Video: 480i/p(525i/p), 576i/p(625i/p), 720p(750p 50/60Hz), 1080i(1125i 50/60Hz), 1080p(1125p 50/60Hz), SCART(RGB+1V sync)
Digital keystone	Vertical: MAX +/- 35 deg, Horizontal: MAX +/- 25 deg
PC input terminals	PC: Mini D-sub 15pinx2, DVI-D(with HDCP)x1, Audio: Stereo mini(φ3.5)x2
Video input terminals	Video: RCx1, S-VIDEOx1, Audio: RCA(L,R)x2
Output terminals	Monitor Out: Mini D-sub 15pinx1, Audio: Stereo Mini(φ3.5)x1
Communication terminals	LAN(RJ-45)x1(for projector control), RS-232C(D-Sub 9pin)x1, USB terminalx1(for mouse control)
Audio speaker	3W mono
Dimension (WxHxD)	333x125x272mm / 13.0x4.9x10.7inch (excluding height adjustment)
Weight	4.9kg / 10.8lbs
Power supply	AC100 - 240V, 50/60Hz
Optional lamp	VLT-XL650LP

\*All brand names and product names are trademarks, registered trademarks or trade names of their respective holders.  
\*Compliance with ISO21118-2005  
\*This product is not in compliance with DICOM Part 14. Do not use this product for actual medical diagnosis.

## Screen size and Projection distance

As seen from the side



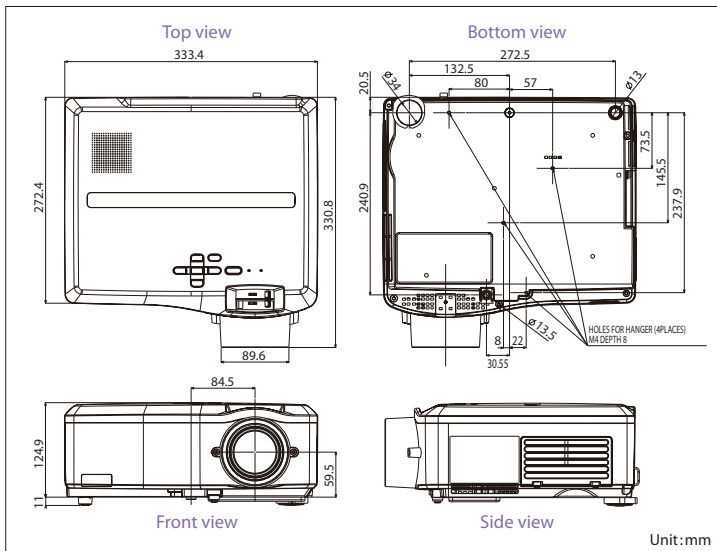
## Nominal Lens / Screen size chart (4:3 aspect ratio)

Screen			Distance from screen (L)				Height projected image (Hd)		
Diagonal size	Width (W)	Height (H)	Maximum Zoom	Minimum Zoom	Maximum Zoom	Minimum Zoom	inch	cm	
40	102	32	81	24	61	46	1.2	56	1.4
60	152	48	122	36	91	70	1.8	85	2.2
80	203	64	163	48	122	94	2.4	114	2.9
100	254	80	203	60	152	118	3.0	142	3.6
150	381	120	305	90	229	177	4.5	215	5.5
200	508	160	406	120	305	237	6.0	287	7.3
250	635	200	508	150	381	297	7.5	359	9.1
300	762	240	610	180	457	357	9.1	431	11.0

## Option Lens / Screen size chart (4:3 aspect ratio)

Screen			OL-XL2550MZ			OL-XL2550LZ			OL-XL2550TZ		
Diagonal size	Width (W)	Height (H)	Distance from screen (L)		Height projected image (Hd)	Distance from screen (L)		Height projected image (Hd)	Distance from screen (L)		Height projected image (Hd)
			Maximum Zoom	Minimum Zoom	inch	Maximum Zoom	Minimum Zoom	inch	Maximum Zoom	Minimum Zoom	inch
40	102	32	81	24	61	55	1.4	71	1.8	24	6
60	152	48	122	36	91	84	2.1	108	2.7	36	9
80	203	64	163	48	122	113	2.9	145	3.7	48	12
100	254	80	203	60	152	142	3.6	182	4.6	60	15
150	381	120	305	90	229	214	5.4	274	6.9	90	23
200	508	160	406	120	305	285	7.3	366	9.3	120	31
250	635	200	508	150	381	357	9.1	450	11.4	150	38
300	762	240	610	180	457	429	10.9	540	13.7	180	46

The above numbers are approximate, and may be slightly different from the actual measurements.



**MITSUBISHI ELECTRIC CORPORATION**  
HEAD OFFICE : TOKYO BLDG., 2-7-3, MARUNOUCHI, CHIYODA-KU, TOKYO 100-8310, JAPAN

To find out more about the MH2850U and other projectors, visit us at  
[Global.MitsubishiElectric.com/projectors/](http://Global.MitsubishiElectric.com/projectors/)